



TOWN OF BASSENDEAN

Health Services

Guide to the Structural Requirements of Food Businesses

Reviewed – January 2017

Introduction

The purpose of this guideline is to provide information in an easy to read format to assist food business proprietors meet their obligations under legislation when designing, fitting out or constructing a new food premises.

Legislation

All food businesses within the Town must comply with the requirements of the following legislation;

- *Food Act 2008* (available from the State Law Publisher at www.slp.wa.gov.au)
- *Food Regulations 2009* (available from the State Law Publisher www.slp.wa.gov.au)
- *Australia New Zealand Food Standards Code* (available from FSANZ www.foodstandards.gov.au).

APPROVAL PROCESS

Planning Services

The premises you have selected may require planning approval and a Development Application may need to be submitted. This is usually to ascertain the suitability of the intended use under the Local Planning Scheme and covers aspects such as zoning, parking and other issues. For more information on planning requirements please contact the Town's Planning Services on 9377 8000.

Building Services

It may also be necessary to obtain a Building Permit (formally a Building Licence). This is usually for;

- Newly Constructed premises
- Where cool rooms and exhaust canopies are to be installed
- Where alterations may affect the structural integrity of the building

For more information on whether a Building Permit is required please contact the Town's Building Services on 9377 8000.

Health Services

Unlike in the past, food businesses are no longer required to submit an application for approval to the Town of Bassendean Health Services. It is the food businesses responsibility simply to comply with the legislation requirements. Food businesses must however Notify or be Registered with the Town prior to operating. This is done by submitting the following form available on the Town's website at www.bassendean.wa.gov.au;

- Food Business Registration Form

To assist businesses meet the requirements the Town has developed this guideline. Proprietors should refer to these guidelines to ensure what is being proposed will be acceptable. The Town's Health Services can provide advice to proprietors seeking clarification where they are unsure of the requirements and whether what is being proposed will be acceptable.

Design Objectives

Your Food Premises should be designed with the following aims:

- Exclude locations that may allow harbourage to vermin by such measures as eliminating cavities, cracks and crevices
- Facilitate easy cleaning by measures such as providing open access to all surfaces where grease and dust may accumulate and ensuring that all surfaces are durable, smooth, impervious and washable.

- Allow the flow of food in one direction, from receipt, to storage, to preparation, to packing/serving/dispatch incorporating in the design process, provision for safe food handling practices so that the risk of contamination is minimised

Further to the above the areas used for food handling, storage of food, packaging or equipment used in food preparation are required to be designed and located separate from:

- Chemical storage areas;
- Toilets and change rooms;
- Garbage and recyclable material storage areas;
- Areas used for activities which may contaminate food or food preparation surfaces.

Design and Construction Requirements

The following information has been taken from the requirements of the *Australia New Zealand Food Standards Code*, Standard 3.2.3 - Food Premises and Equipment. It is provided as a guide and Food Proprietors should refer to the Code directly for specific details. In relation to acceptable solutions this is a guide only. Different solutions (other than those listed) may also be acceptable depending on the specific nature of the food business or as new technology emerges. Additional information on suitable design requirements is available in the Australian Standard 4674-2004 *Design, Construction and Fitout of Food Premises*. Premises meeting this standard will be deemed to have met the acceptable solution requirement. For further information on the requirements of this standard copies can be obtained from SAI Global at www.saiglobal.com. If you are unsure whether what is being proposed will be deemed an acceptable solution please contact the Town's Health Services on 9377 8080.

General Requirements

Relevant Standard	Performance Criteria	Examples of Acceptable Solutions
FSS 3.2.3 Division 2 Clause 3	Design and construction of food premise to be: <ul style="list-style-type: none"> • Appropriate for activities • Provide sufficient space • Permit effective cleaning • Prevent entry of dirt, dust, fumes and pests 	Premises to be provided with sufficient space for undertaking required activities, equipment and storage. Materials used in premises should facilitate cleaning by being smooth and impervious. All openings shall be covered by screens, self closing doors or other inhibiting mechanism (eg air curtain or fly-strips).

Sewerage and Waste Water Disposal

Relevant Standard	Performance Criteria	Examples of Acceptable Solutions
FSS 3.2.3 Division 2 Clause 5	Premises must effectively dispose of sewerage and waste water in a manner that is unlikely to contaminate the water supply or food	<p>Premises to be connected to deep sewer if available or an approved onsite effluent disposal system. Premises undertaking cooking or likely to generate oils and fats will also be required to install a grease trap to the satisfaction of the Water Corporation.</p> <p>Mobile food vehicles not connected to sewer or approved disposal system should have temporary holding tanks with a minimum capacity of 50 litres.</p>

Storage of Garbage and Recyclable Matter

Relevant Standard	Performance Criteria	Examples of Acceptable Solutions
FSS 3.2.3 Division 2 Clause 6	<p>The premises must have waste facilities that:</p> <ul style="list-style-type: none"> • Adequately contain the quantity and type of waste and recyclable matter • Are enclosed so as to not allow access to pests and animals • Designed and constructed to be easily and effectively cleaned 	<p>Premises must have facilities designed to store all rubbish until collection. Premises that generate high volumes of waste material may require a larger bin store or a more regular collection.</p> <p>Facilities shall be designed to keep pests away from it eg bin enclosure, bin lids kept closed.</p> <p>In order to ensure easy and effective cleaning, an adequate supply of water should be provided in the bin store eg tap or hose cock. Wastewater is not permitted to enter stormwater drainage systems and for this reason the floor of the bin store should be graded to a floor waste drain connected to sewer or an approved onsite effluent disposal system.</p> <p>Consideration should also be given to how contractors will access the area to enable easy removal of material. The location of the bin store should be carefully considered so that neighbouring properties are not affected by odour issues, which may be dealt with under nuisance provisions of the Town's Local Laws.</p>

Ventilation

Relevant Standard	Performance Criteria	Examples of Acceptable Solutions
FSS 3.2.3 Division 2 Clause 7	Premises must have sufficient natural or mechanical ventilation to effectively remove fumes, smoke, steam and vapours	<p>For premises which don't generate fumes, smoke, steam or vapours, natural ventilation may be sufficient. For other types of premises mechanical ventilation will be required.</p> <p>Mechanical ventilation which complies with Australian Standard AS 1668.2 - <i>The use of ventilation and airconditioning in buildings Part 2: Mechanical ventilation in buildings</i> will be considered satisfactory in meeting this requirement and those of the National Building Code of Australia.</p> <p>This standard requires mechanical ventilation be installed where heated air is produce by cooking or dishwasher equipment where:</p> <ul style="list-style-type: none"> • Electrical cooking equipment exceeds an input of 8kW • Gas cooking equipment exceeds an input of 29MJ/H • Any deep fryer appliance • For more than one appliance a maximum power input exceeding 0.5kW/m² (1.8MJ/m² for gas appliances) <p>For more information on the requirements of mechanical ventilation please refer to the separate section below on Exhaust Hoods.</p>

Lighting

Relevant Standard	Performance Criteria	Examples of Acceptable Solutions
FSS 3.2.3 Division 2 Clause 8	Premises must have sufficient natural or artificial light for the activities conducted	<p>Premises must have sufficient light to enable activites to be undertaken in a safe manner with good visibility. Light fittings shall be designed so that accumulation of dust or dirt is prevented (eg recessed into ceiling or have a sectional profile that prevents the accumulation of dust). Light fittings shall be fitted with protective covers to prevent contamination of food with broken glass.</p>

Floors

Relevant Standard	Performance Criteria	Examples of Acceptable Solutions
FSS 3.2.3 Division 3 Clause 10	Floors to be suitable for the activities and be able to be effectively cleaned, unable to absorb grease, food particles or water and be laid so that there is no ponding of water	Suitable materials include ceramic tiles, vinyl sheeting, stainless steel (eg used in some coolrooms), polished concrete with a sealer or epoxy resins. Timber flooring is generally only suitable in dining areas. In premises undertaking cooking or likely to produce grease floors should also have coving at the floor wall junction to facilitate cleaning. In premises using high volumes of water for general cleaning the floor should also be graded to a floor waste gully.

Walls and Ceilings

Relevant Standard	Performance Criteria	Examples of Acceptable Solutions
FSS 3.2.3 Division 3 Clause 11	Walls and ceiling to be suitable for the activities and be unable to absorb grease, food particles or water, be easily cleaned and to the extent that is practicable not provide harbourage of pests.	<p>Suitable wall materials include ceramic tiles, vinyl sheeting, stainless steel, polished concrete with a sealer or preformed panels (eg cool room panelling). Rendered plaster with a gloss paint does meet the performance criteria however it is prone to damage quite easily. Premises which use rendered plaster will be required to maintain the surface free from cracks and other damage and it is not recommended for use in food preparation areas or high traffic areas prone to damage.</p> <p>Suitable ceiling materials include flush jointed gyprock ceiling painted with gloss paint, polished concrete with a sealer or preformed panels (eg cool room panelling). Other types of panelled ceilings may be suitable in non food preparation areas.</p> <p>The ceiling/wall junctions should effectively be sealed to prevent entry by dust, dirt and pests. Where stud framed walls have been used the internal cavity shall be filled with an insulation or similar type material to minimise harbourage by pests.</p>

Fixtures, Fittings and Equipment General Requirements

Relevant Standard	Performance Criteria	Examples of Acceptable Solutions
FSS 3.2.3 Division 4 Clause 12	Fixtures, fittings and equipment must be adequate for the production of safe food, be easily cleaned, unable to absorb grease, food particles and water and not contaminate food.	<p>Suitable materials include stainless steel, aluminium, plastics, laminates and glass. Iron or mild steel may be used for non food contact surfaces such as shelving brackets but may become corroded over time and require replacing. Galvanised iron is not recommended as a food contact surface as the zinc is toxic and becomes soluble in fruit acids and in both acid and alkali detergents.</p> <p>Equipment should be used as per the manufacturers direction, be maintained and be located so that adjacent floor, walls and ceilings are able to be easily cleaned. Equipment should be able to be easily moved (may require castors and flexible connections). Fittings and fixtures should be concealed in the wall, floor or ceiling where possible or on brackets with at least 25 mm clearance between the vertical surface and 100 mm between the adjacent horizontal surfaces.</p>

Connections for Specific Fixtures, Fittings and Equipment

Relevant Standard	Performance Criteria	Examples of Acceptable Solutions
FSS 3.2.3 Division 4 Clause 13	<p>Fixtures, fittings and equipment which is designed to be connected to a water supply and waste water disposal system must be connected to such systems.</p> <p>Automatic equipment which uses water to sanitise, must do so at a sufficient temperature for sanitization.</p>	<p>Fixtures using water must be connected to the water supply by permanent plumbing connections. The use of buckets, hoses or kettles for example in sinks is not acceptable. Similarly these type of fixtures must be connected by fixed plumbing to an approved waste water disposal system.</p> <p>Automatic washers must operate at sufficient temperature and time to ensure adequate sanitisation of utensils or equipment occurs. Proprietors should refer to the manufacturers instructions.</p>

Storage Facilities

Relevant Standard	Performance Criteria	Examples of Acceptable Solutions
FSS 3.2.3 Division 4 Clause 15	Food premises must have adequate storage facilities for the storage of chemicals, clothing and personal items and these must be located so as to not likely contaminate food or food contact surfaces.	Separate chemical stores, lockers or staff room are good ways of achieving this. Chemicals should not be stored on shelving above food preparation surfaces but below benches and away from other food storage areas.

Hand Washing Facilities

Relevant Standard	Performance Criteria	Examples of Acceptable Solutions
FSS 3.2.3 Division 4 Clause 14	<p>Hand wash facilities must be:</p> <ul style="list-style-type: none"> • Within areas where food handlers work if their hands may be a source of contamination of food • Immediately adjacent to any toilets • Permanent fixture (other than temporary food premises) • Connected to warm running potable water • Of a size that allows easy and effective hand washing • Used only for washing hands, arms or face 	<p>Hand wash facilities should be located in food preparation areas and immediately adjacent to any toilets. Facilities are to be permanent fixtures connected with warm potable water (hot and cold water typically between 22°C and 48°C). The provision of warm water should be via connection to a hot water system. The use of kettles or urns to provide warm water will not be considered acceptable other than in temporary food stalls. Facilities should be of a sufficient size that allows the moving and rubbing of hands under running water. Whilst it is recommended that hand wash facilities be operated by a means other than by hand (eg hands free taps) this is not a specific requirement. Hand wash basins should be provided with soap and disposable paper towels.</p>

Toilet Facilities

Relevant Standard	Performance Criteria	Examples of Acceptable Solutions
FSS 3.2.3 Division 4 Clause 16	Food businesses must ensure adequate toilet facilities are available	A food business must ensure that toilets are available for the use of all food handlers working for the food business. Toilet facilities are also to comply with the National Building Code of Australia. This requires disabled facilities for newly constructed premises and may be required in premises undergoing alterations. Also business accommodating more than 20 patrons require public toilets.

Exhaust Hoods

The following diagrams have been taken from AS 1668.2. For further information on the requirements of this standard copies can be obtained from SAI Global at www.saiglobal.com. It is recommended that anyone installing exhaust hoods use a reputable installer familiar with this standard. It should also be noted that a building permit may be required prior to installation and food proprietors should contact the Town's Building Services for more information.

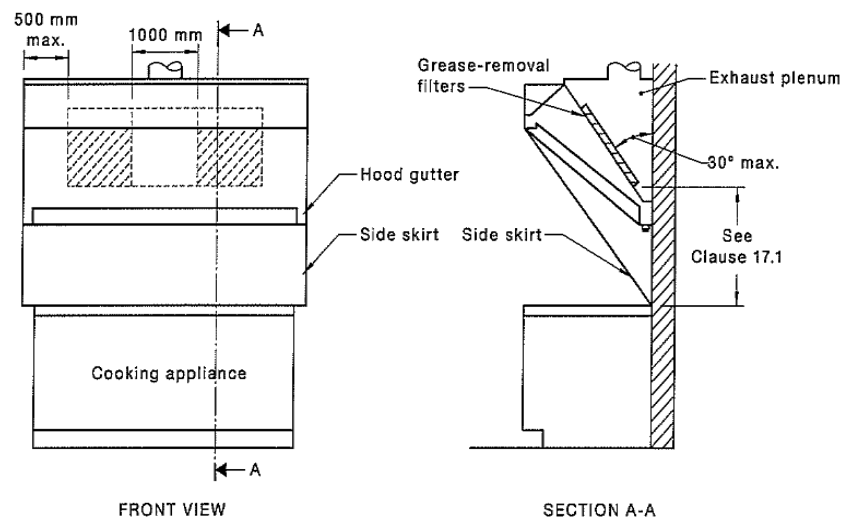
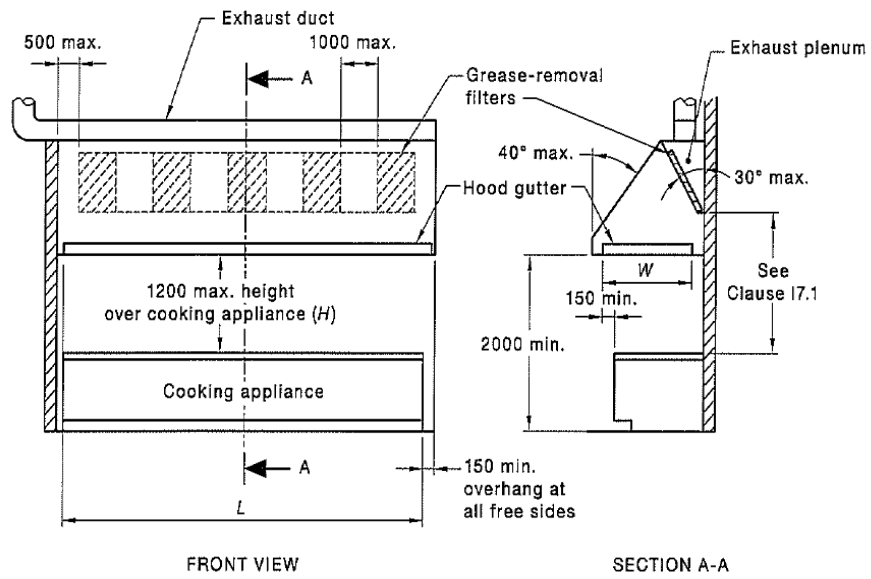
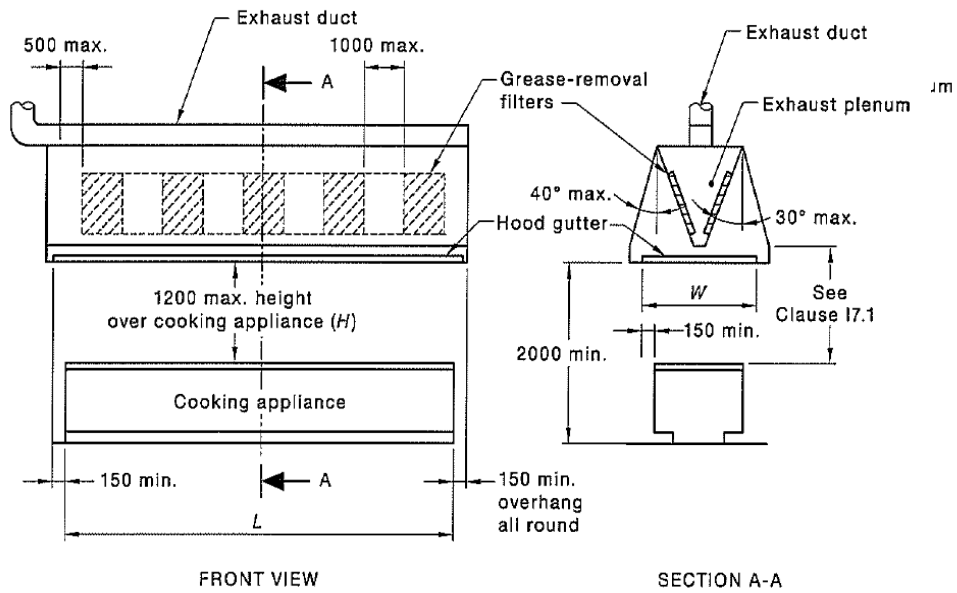


FIGURE E3 TYPICAL LOW SIDEWALL (BACK SHELF) TYPE 1 HOOD INCORPORATING GREASE-REMOVAL FILTERS



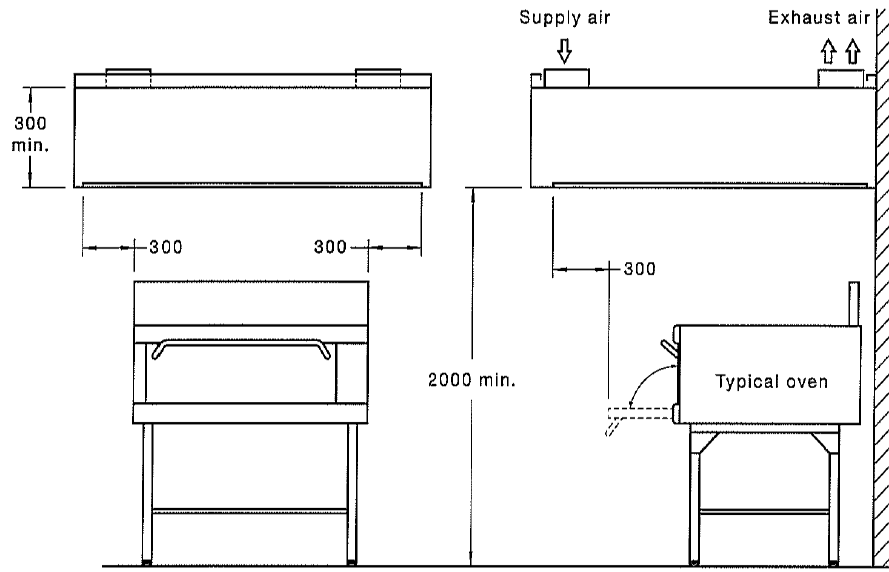
DIMENSIONS IN MILLIMETRES

FIGURE E4 TYPICAL CORNER-MOUNTED HOOD TYPE 2—INCORPORATING GREASE-REMOVAL DEVICES



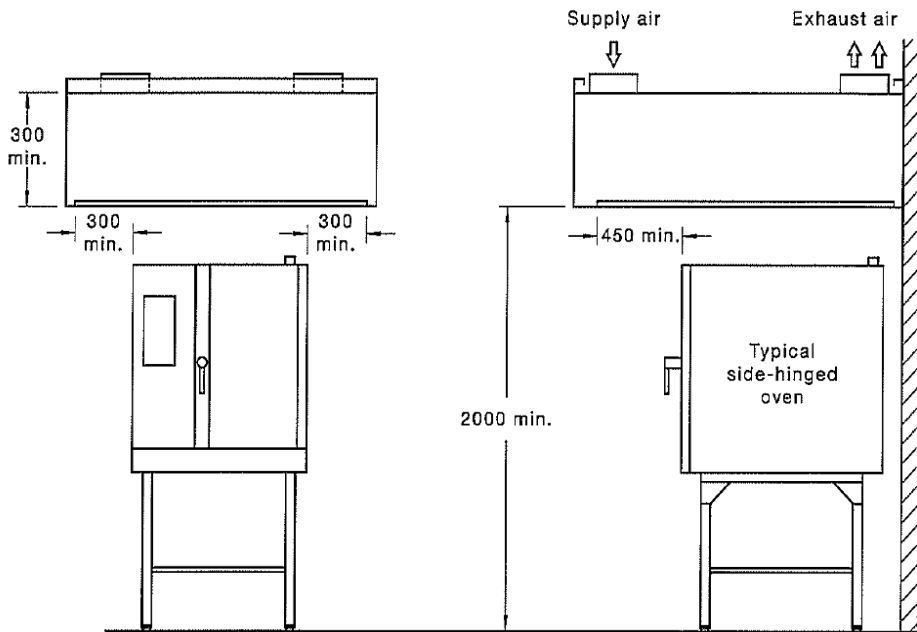
DIMENSIONS IN MILLIMETRES

FIGURE E6 TYPICAL ISLAND HOOD TYPE 4 CANOPY INCORPORATING GREASE-REMOVAL DEVICES



DIMENSIONS IN MILLIMETRES

FIGURE E7 TYPICAL PIZZA OVEN HOOD TYPE 3 CANOPY
INCORPORATING GREASE-REMOVAL DEVICES



DIMENSIONS IN MILLIMETRES

FIGURE E8 TYPICAL SIDE HINGED OVEN CANOPY HOOD TYPE 3
INCORPORATING GREASE-REMOVAL DEVICES

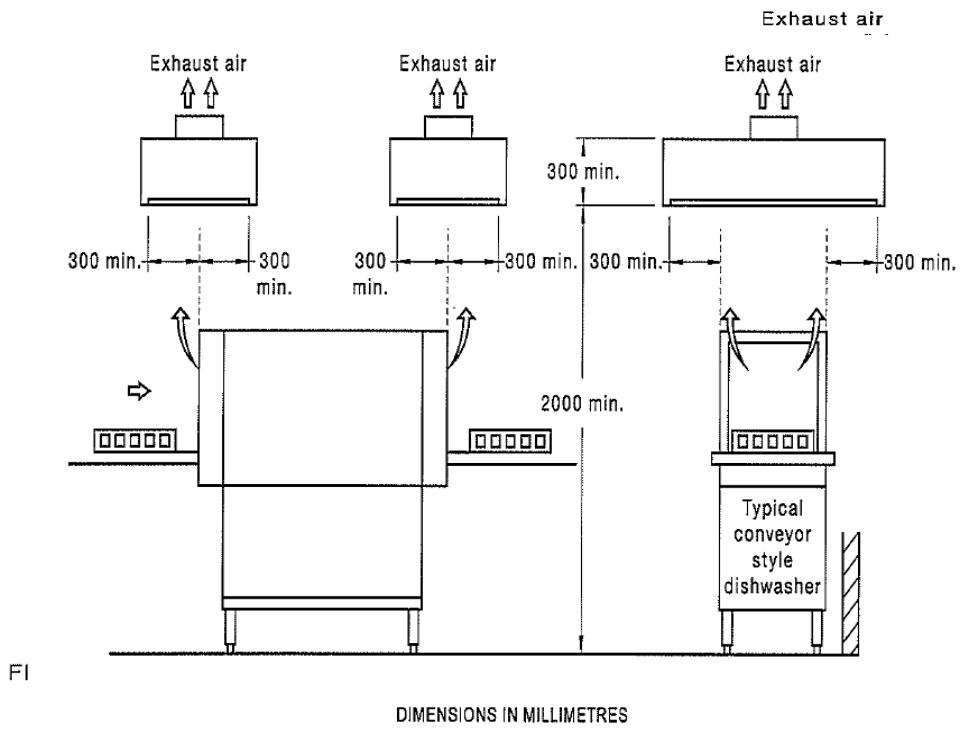


FIGURE E10 TYPICAL CONVEYOR DISHWASHER STYLE HOOD TYPE 6 CANOPY

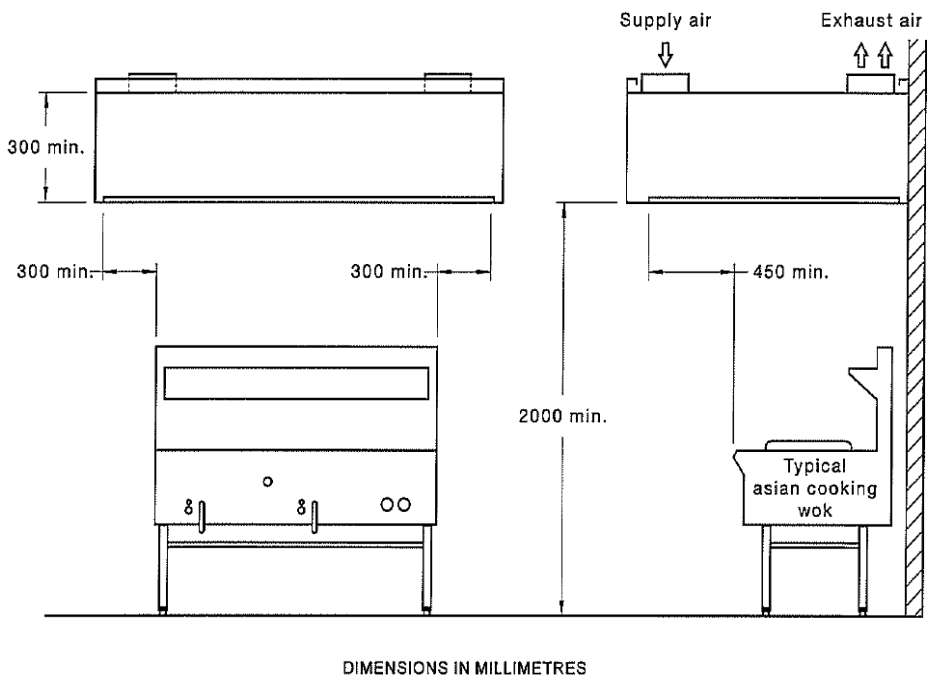


FIGURE E11 TYPICAL WOK STYLE HOOD TYPE 3 CANOPY INCORPORATING GREASE-REMOVAL DEVICES

Coolrooms and Walk in Freezers

The installation of a walk in coolroom or freezer requires a building permit and food proprietors should contact the Town's Building Services for more information. In general a coolroom or freezer should be designed so that;

- All internal angles between walls, ceilings and floors are coved.
- Graded to a floor waste if required.
- All racks and shelving should be of a smooth, non absorbant, easily cleanable and non corrosive material.
- Coolroom condensates should discharge to a drainage system located outside the coolroom or freezer ie. tundish.
- A thermometer and guage indicating temperature within +/- 1°C.
- All doors are fitted with a rubber or similar seal which effectively prevents the escape of cold air or the entry of warm air and the door must be capable of being opened from the inside at all times.
- An alarm is required to be provided on the outside of the the coolroom which is controlled only from the inside of the coolroom.
- Internal lighting controlled by a switch located adjacent to the enterance of the coolroom.

Operational Requirements

Like the structural requirements operational requirements are also covered by the Food Standards Code. This covers such issues as food storage, food handling and preparation, cleaning, waste disposal, maintenance, personal hygiene and pest control. The requirements and practices of the food business will be dependant on the type of activities undertaken. How a food business meets these requirements is largely up to them. However some businesses find the use of checklists particularly useful.

Lodging a Notification or Registration Form

If you have not notified or do not have a Registration Certificate in your name you should submit the relevant form as soon as possible. Failure to notify is an offence as is operating an unregistered food business.

Lodging your Form:

- In Person: Town Of Bassendean Administration Centre, 48 Old Perth Rd, Bassendean
- By Mail: PO Box 87, Bassendean WA 6054
- By Email: bassendean@bassendean.wa.gov.au

Responsibilities of a Food Business Proprietor

It is the responsibility of the Food Business Proprietor to ensure the food business complies with the Act. The Towns role is a safeguard that this is happening. Where non-compliance is observed, the Town can take enforcement action.

Enforcement Action

Where issues of non compliance are identified the Town has a range of enforcement options open to it. These include but are not limited to issuing Improvement Notices, issuing Infringement Notices, seizing equipment or food products or undertaking a prosecution.

The action taken by the Town will depend on the severity of the offence, the risk to the public and the history of the food business with regards to past non-compliance issues. The amount of penalty for an infringement notices is set in legislation and is usually \$1000 per offence. The amount of penalty for a prosecution is determined by the magistrate and may be up to \$250 000. In addition a business found guilty via a prosecution may also be liable to cover the Town's legal costs and will have the details published on the Department of Health's Publication of Names of Offenders List.

Skills and Knowledge

A food business must ensure all food handlers have skills and knowledge commensurate with their work activities. To assist food businesses meet this requirement the Town provides free food safety training via an online learning program called 'I'm Alert'. This is available on the Town's website at www.bassendean.wa.gov.au. Upon completion of the training course a certificate can be printed out verifying the person has completed the course.

Further Information

Additional information, including fact sheets and guidelines on food handling and food safety, may be found on the following websites;

- Department of Health – www.public.health.wa.gov.au
- Food Standards Australia New Zealand – www.foodstandards.gov.au
- Town of Bassendean – www.bassendean.wa.gov.au
- Australia Standards (SAI Global) - www.saiglobal.com

Should you have any queries regarding any of the above, please contact the Town's Health Services on 9377 8080.